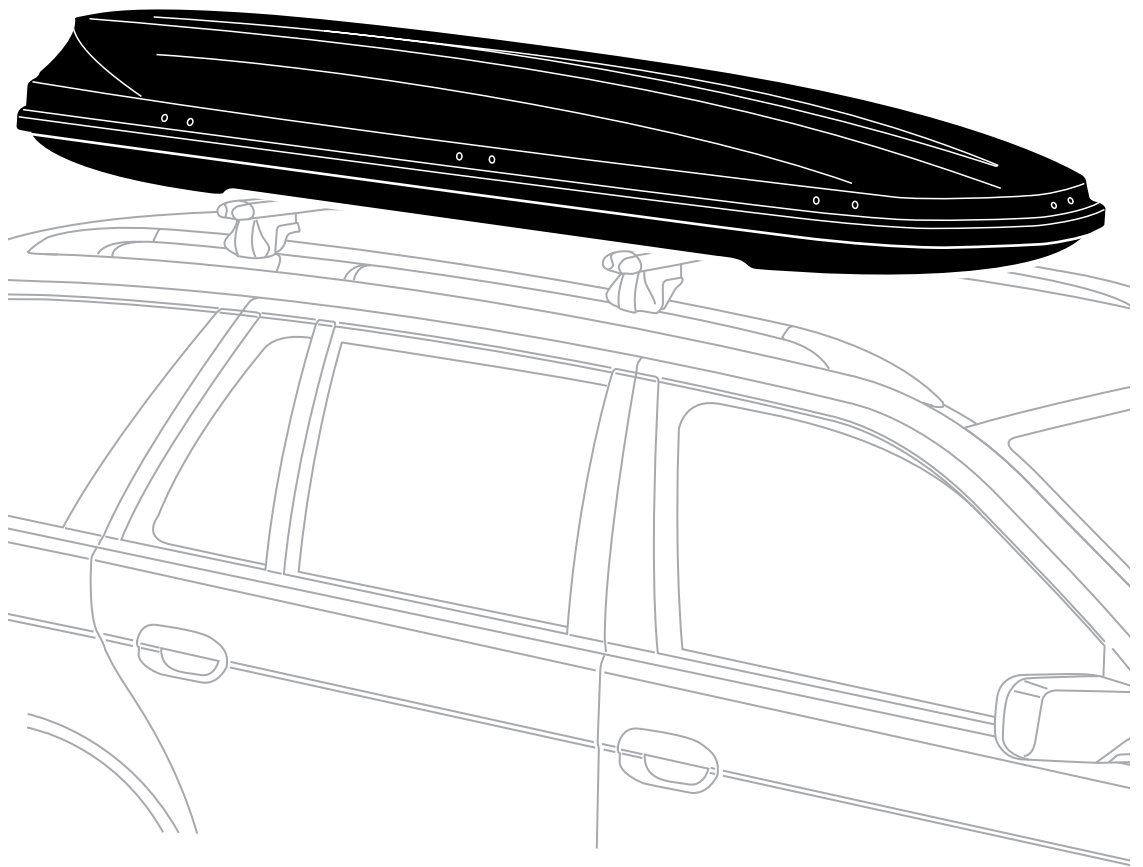
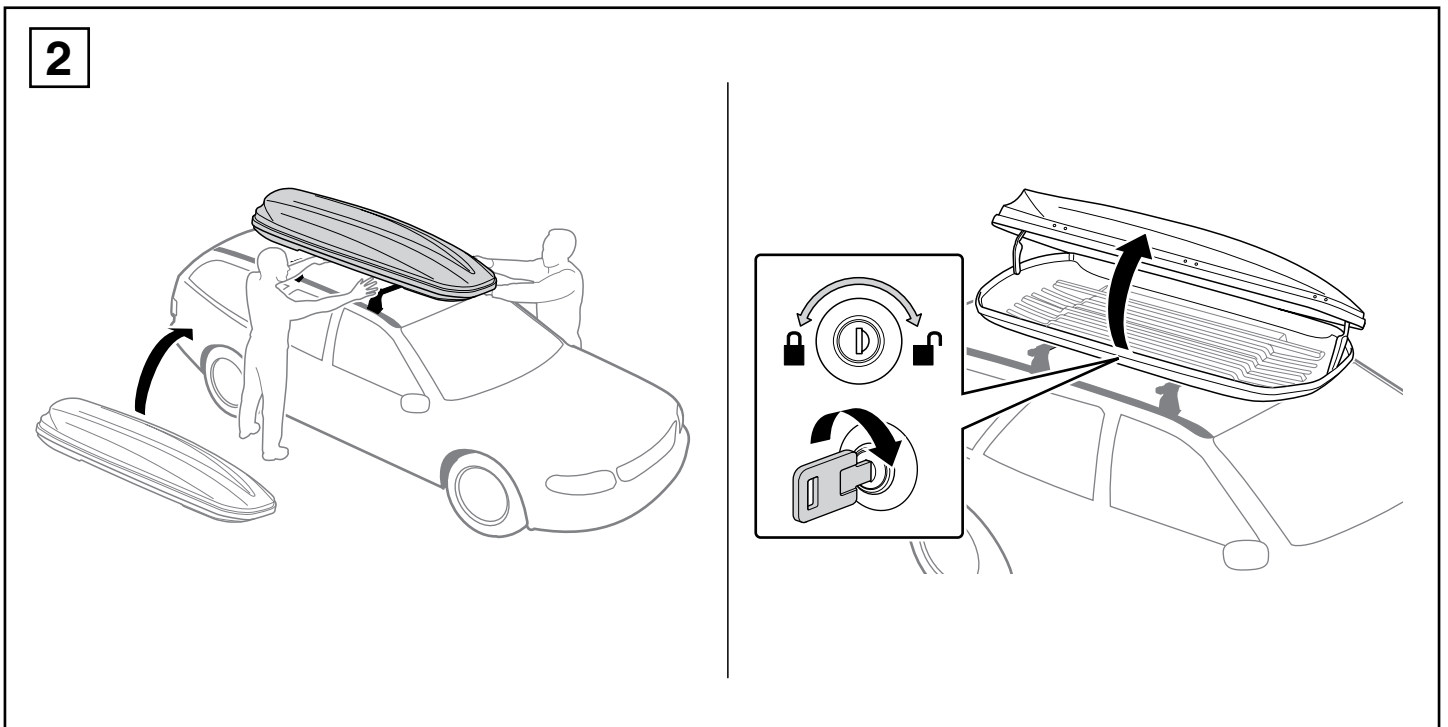
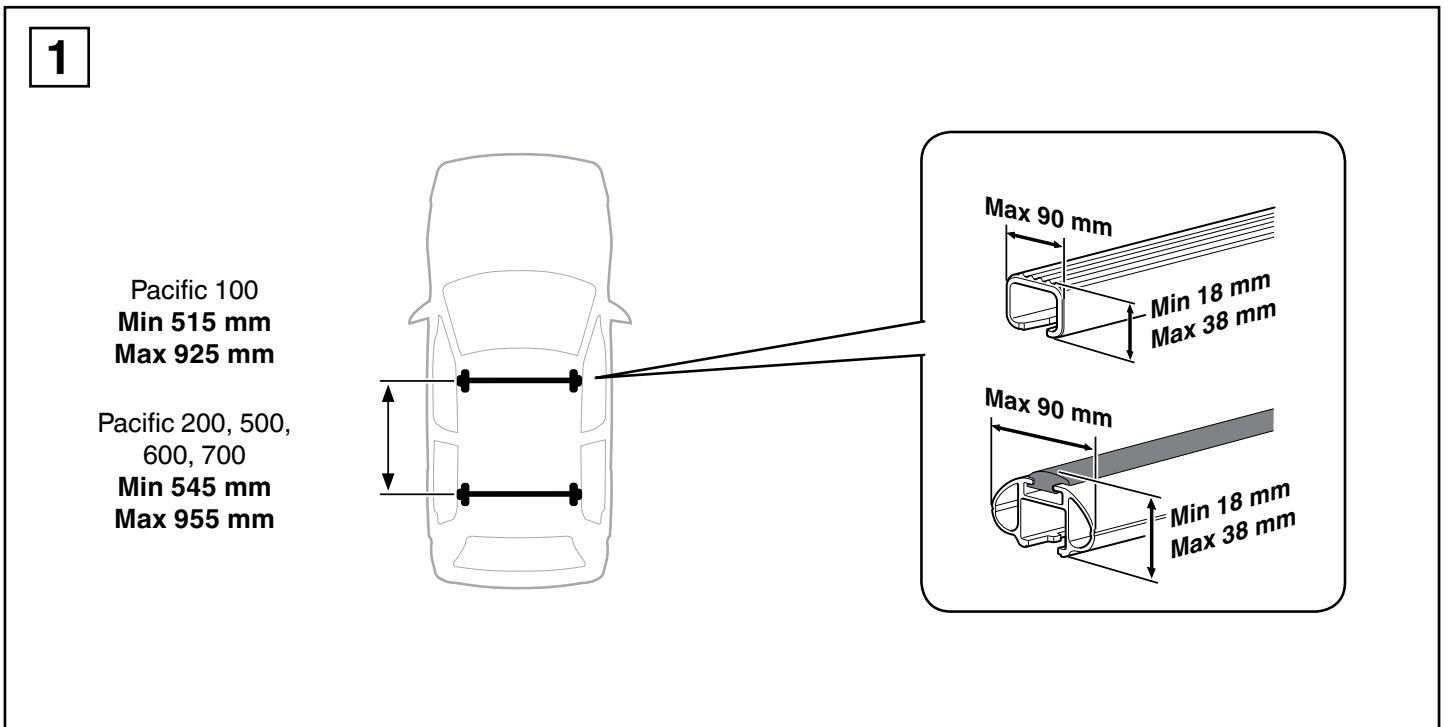
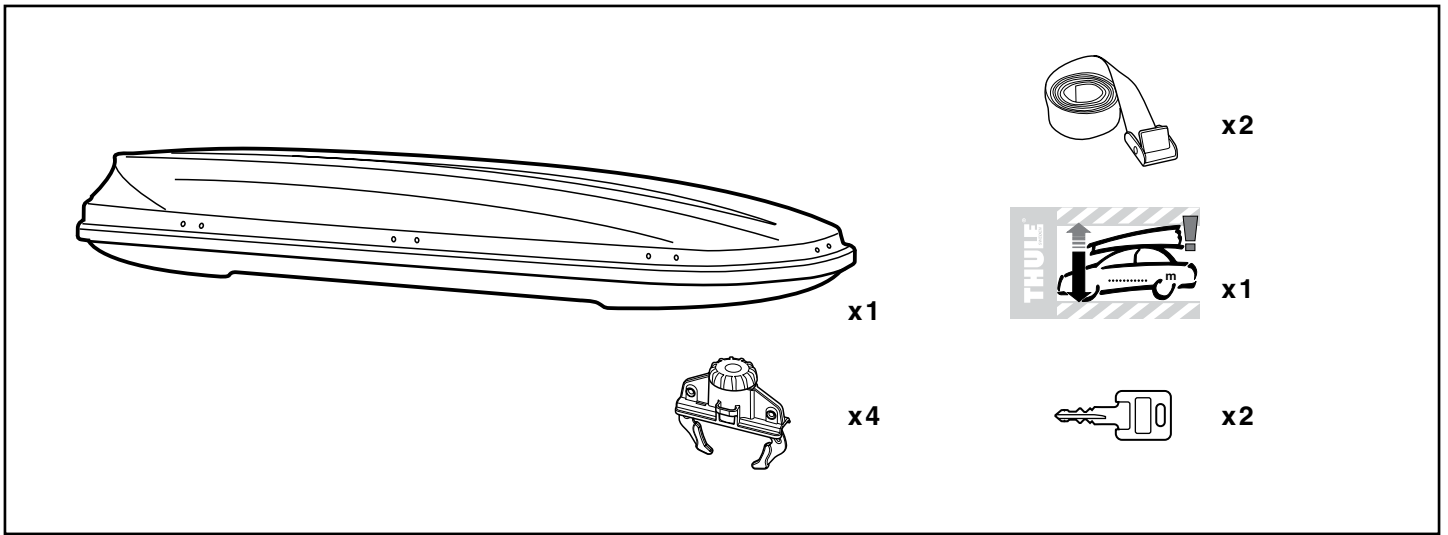


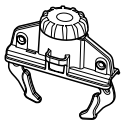
Instructions

Pacific

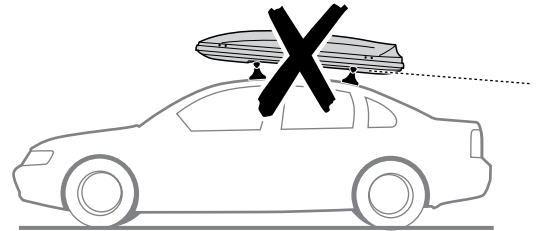
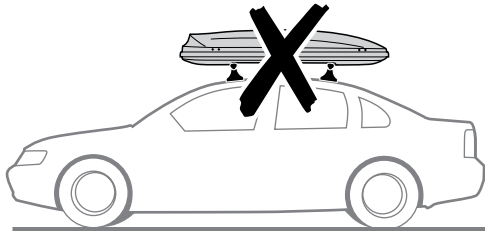
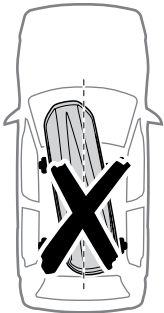
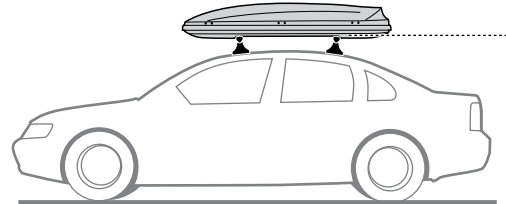
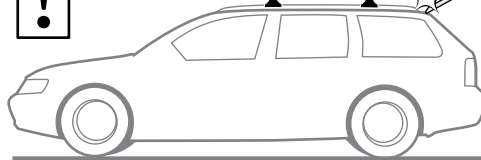
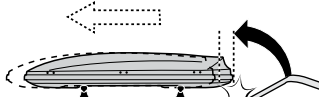
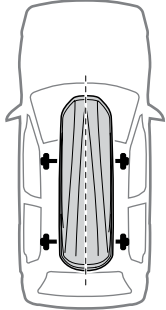
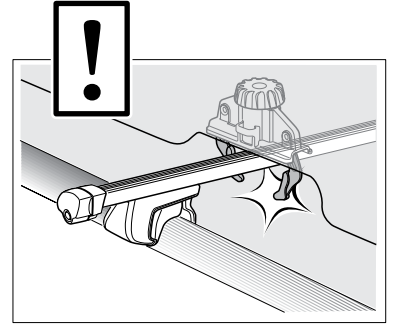
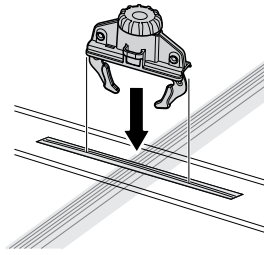
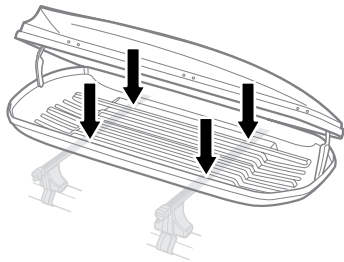




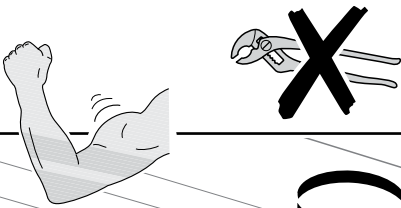
3



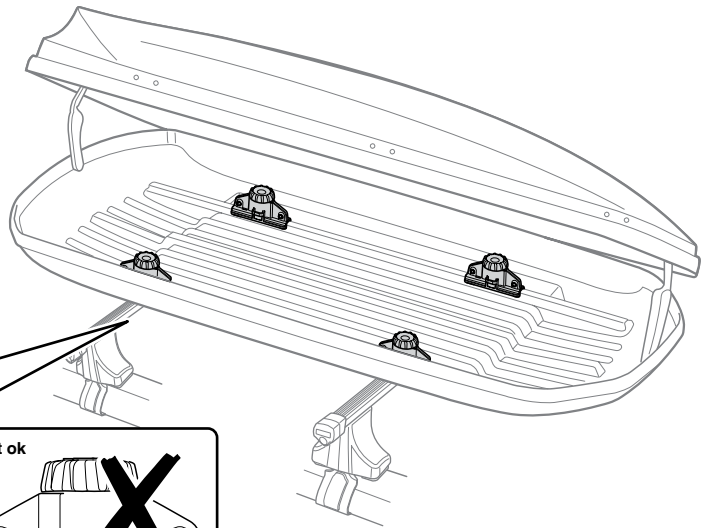
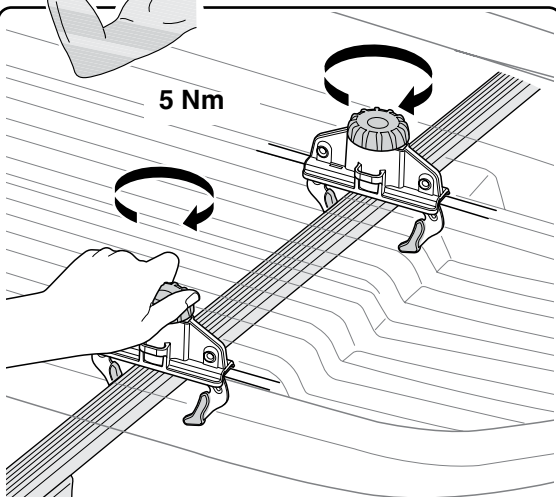
x4



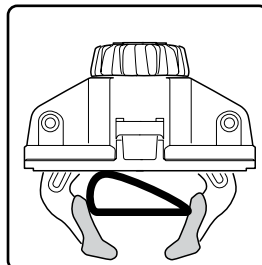
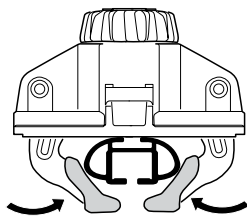
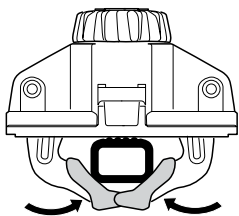
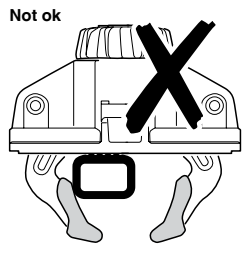
4



5 Nm



Not ok



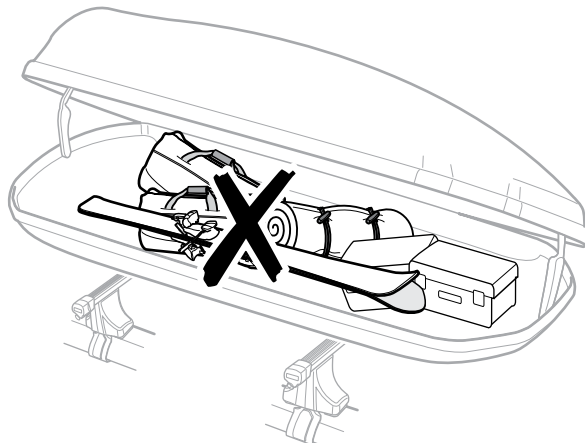
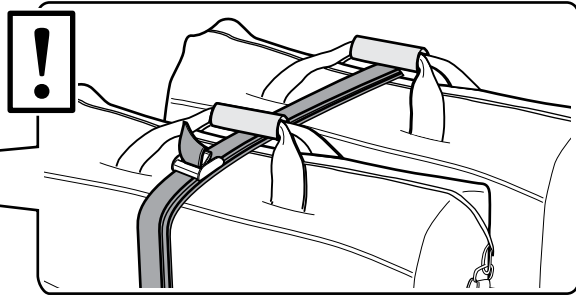
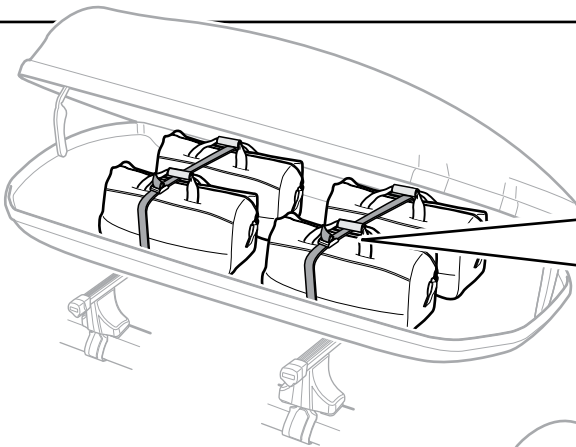
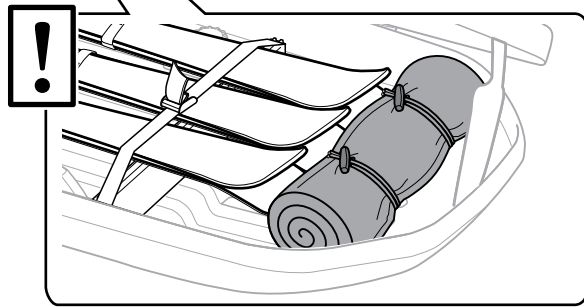
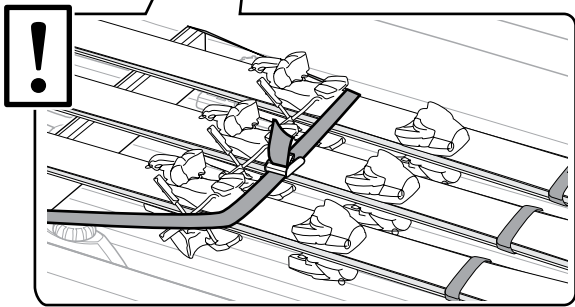
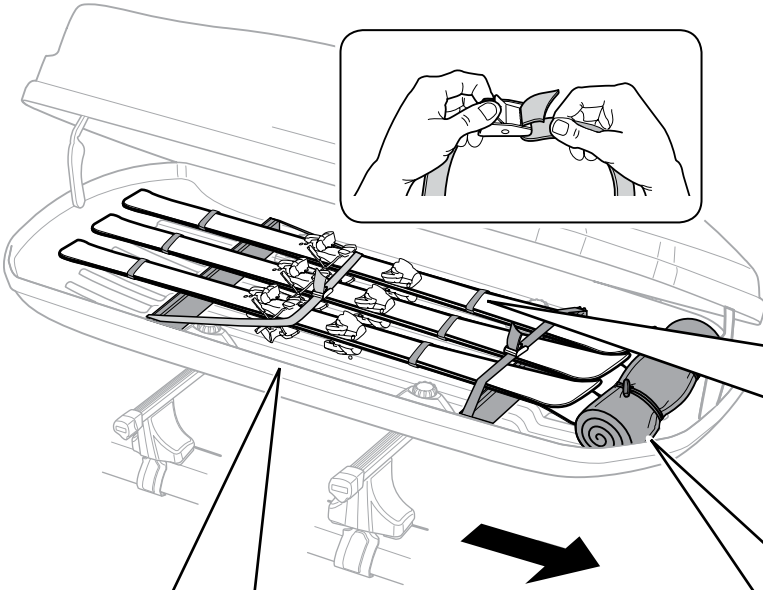
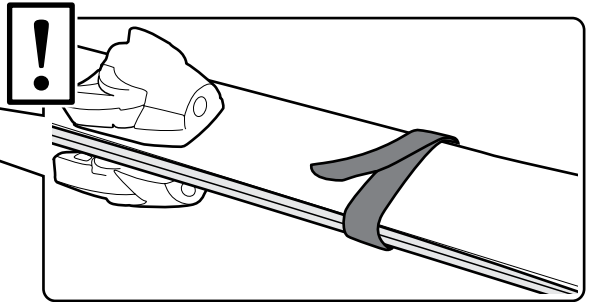
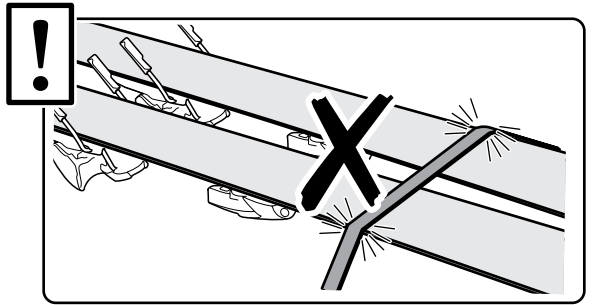
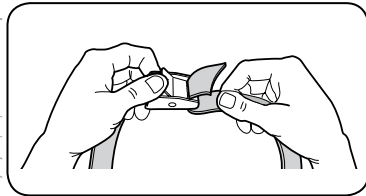
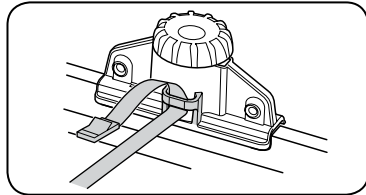
i Thule T-Nut Adapter

696400
697400

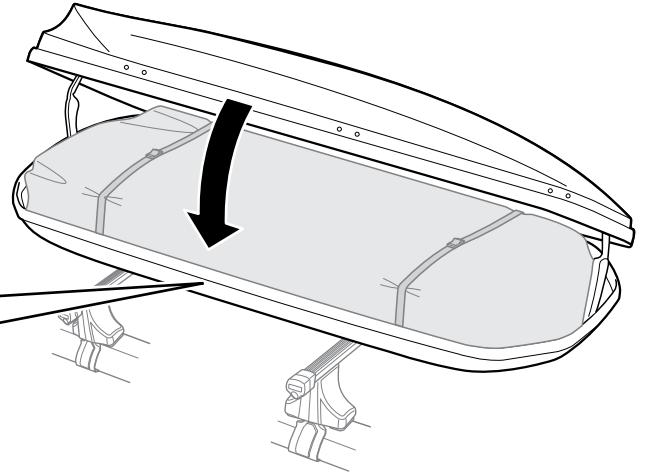
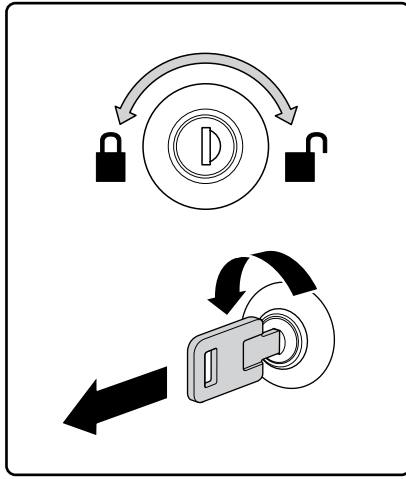
5



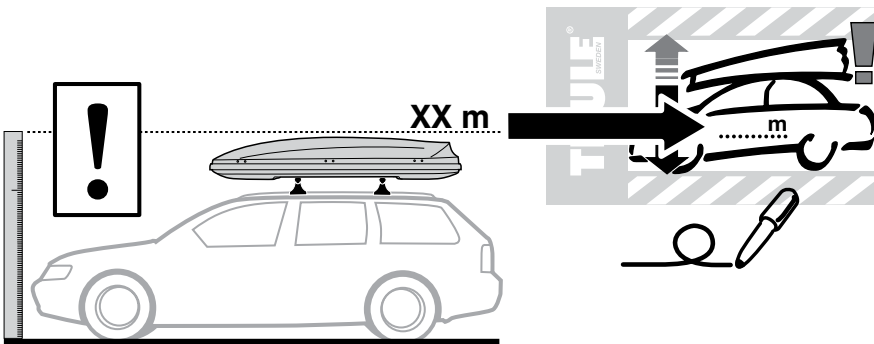
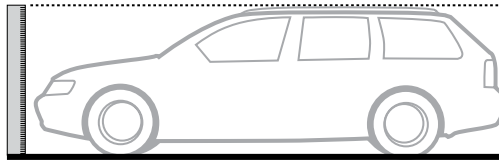
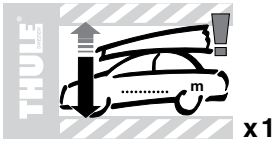
x2



6



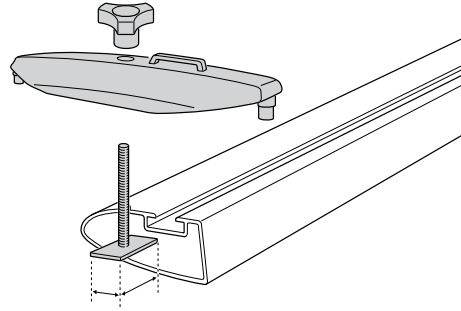
7



i Thule T-Nut Adapter

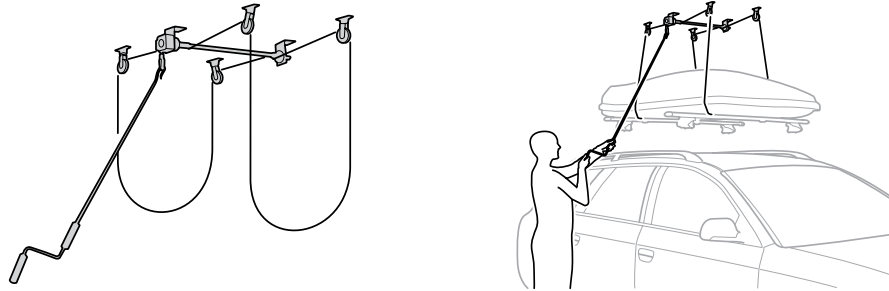
696400 → 24x30 mm

697400 → 20x20 mm



i Thule Boxlift

571000



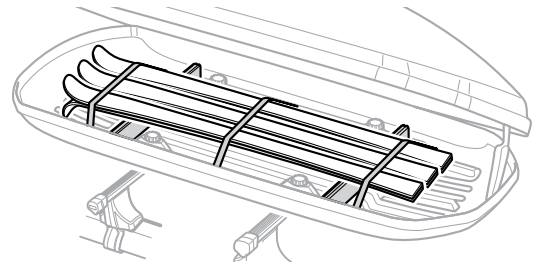
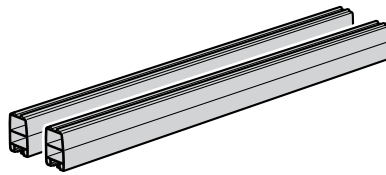
i Thule Skicarrier

694800 → Pacific: 200

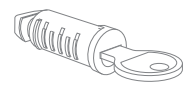
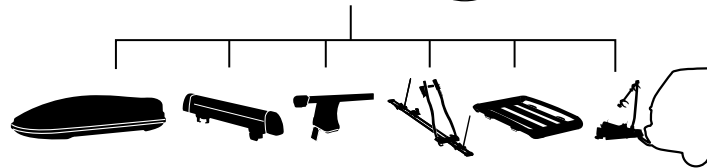
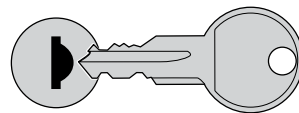
694500 → Pacific: 500

694600 → Pacific: 600

694700 → Pacific: 700

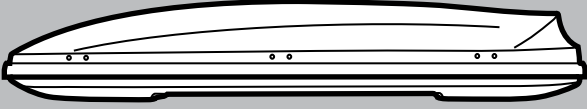


THULE
SWEDEN
**ONE
KEY
SYSTEM**

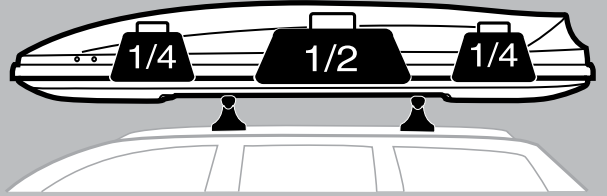


- 544** (x4)
- 596** (x6)
- 588** (x8)
- 452** (x12)

<p>1</p>	<p>2</p>	<p>3</p>	<p>4</p>
<p>5</p>	<p>6</p>	<p>7</p>	<p>8</p>



Pacific 100: 12 kg
Pacific 200: 14 kg
Pacific 500: 12 kg
Pacific 600: 13 kg
Pacific 700: 15 kg



Max 50 kg

i

